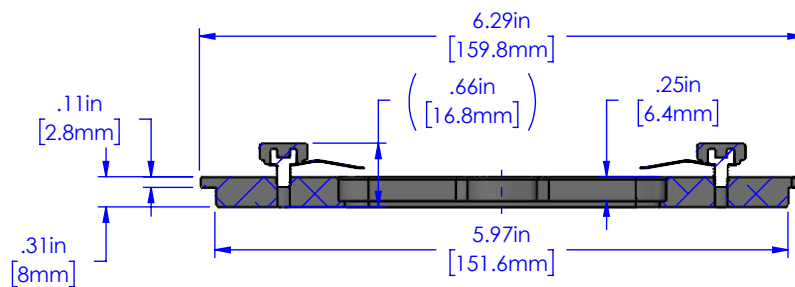
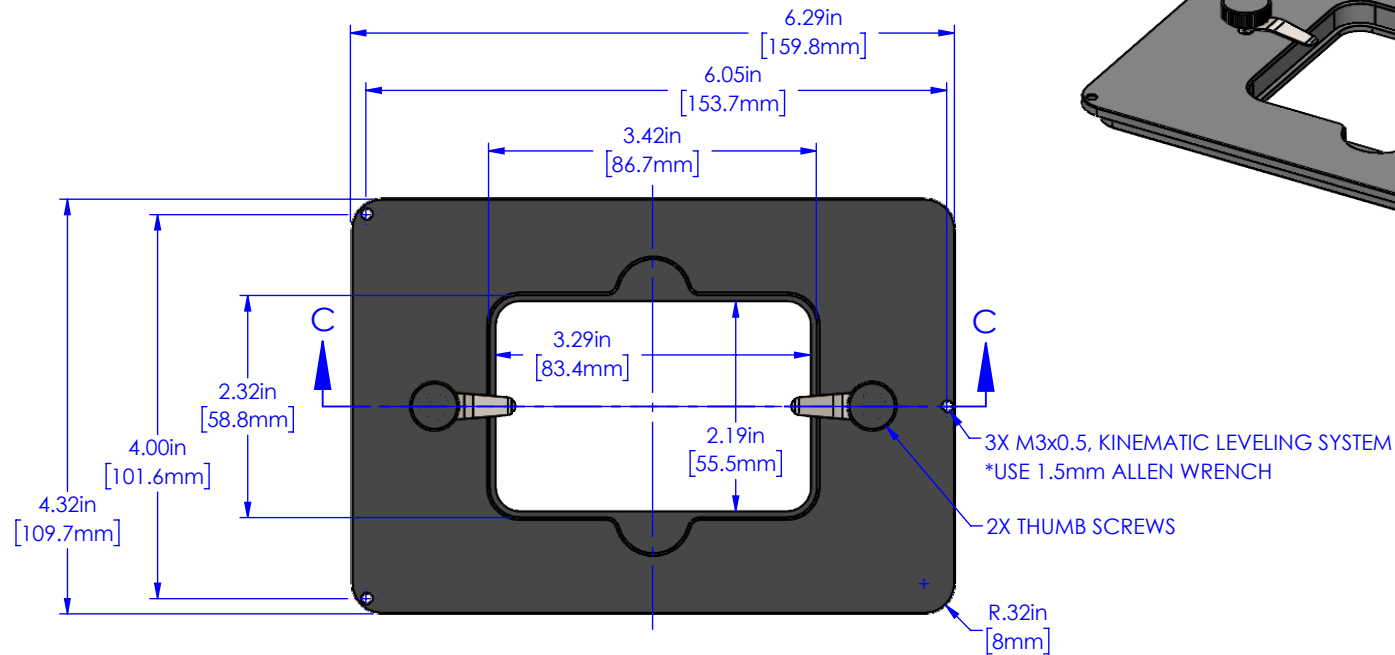
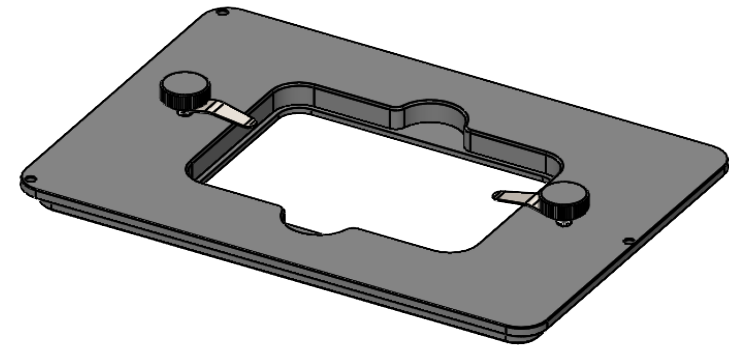


I-4020

THIS DRAWING AND ALL DATA INCLUDED IS THE PROPERTY OF APPLIED SCIENTIFIC INSTRUMENTATION AND THE INFORMATION CONTAINED HEREIN IS FOR GENERAL PRESENTATION PURPOSES ONLY AND MAY CHANGE AT ANY TIME. CONTACT ASI OR A FACTORY REPRESENTATIVE FOR PROJECT SPECIFIC ENGINEERING.



SECTION C-C



PROPRIETARY AND CONFIDENTIAL
THE INFORMATION CONTAINED IN THIS DRAWING IS THE SOLE PROPERTY OF APPLIED SCIENTIFIC INSTRUMENTATION. ANY REPRODUCTION IN PART OR AS A WHOLE WITHOUT THE WRITTEN PERMISSION OF APPLIED SCIENTIFIC INSTRUMENTATION IS PROHIBITED.

APPLIED SCIENTIFIC INSTRUMENTATION
29391 W ENID RD
EUGENE, OR 97402-9533
PHONE: (541)461-8181
FAX: (541)461-4018

UNLESS OTHERWISE SPECIFIED
DIMENSIONS ARE IN INCHES
.xx ± .01
.xxx ± .005
.xxxx ± .0002
FRACTIONS ± 1/32
ANGLES ± 1°

DESCRIPTION
THE I-4020 IS DESIGNED TO HOLD ASI'S STAINLESS STEEL I-2460. THIS AUTOCLAVABLE DISH HOLDS A REPLACEABLE 60 mm X 24 mm COVERGLASS BOTTOM, SEALED IN PLACE BY AN O-RING. EASE OF ACCESS SIDE SLOTS. SPRING CLIPS FOR SECURE STABILITY

DRAWN BY/DATE

M.ANTHONY 11/15/23

CHECKED BY/DATE

V.MARSO 11/15/23

SCALE

1:2

REV

-

MATERIAL

MIC-6

DRAWING #

I-4020